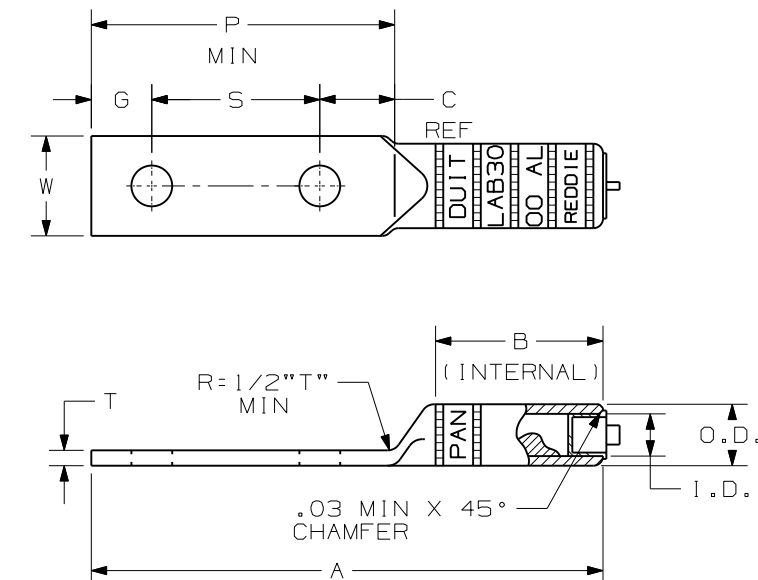


THIS COPY IS PROVIDED ON A RESTRICTED BASIS AND IS NOT TO BE USED IN ANY WAY DETRIMENTAL TO THE INTERESTS OF PANDUIT CORP.

PANDUIT PART NUMBER	CONDUCTOR SIZE	STUD SIZE	OVERALL LENGTH "A" ± .12	BARREL LENGTH "B" MIN	BARREL		TONGUE WIDTH "W" ± .06	TONGUE THICKNESS "T" ± .02	TONGUE LENGTH "P" MIN.	HOLE OFFSET "G" ± .03	HOLE SPACING "S" 1.75	WRENCH CLEARANCE "C" REF. 1.19	WIRE STRIP LENGTH 2-5/16	PANDUIT CRIMP TOOL PART NUMBERS	
					I.D. ± .01	O.D. ± .01								CT-720	CT-2940** CT-2920, CT-920, CT-930CH, CT-930, CT-920CH, CT-940CH**
					DIE PART NO./ DIE SET COLOR & INDEX NO./ NUMBER OF CRIMPS										
LAB300-12-2	300 MCM	1/2	6.61	2.30	.65	1.10	1.36	.34	3.47	.63	1.75	1.19	2-5/16	CD-720-6 BLUE P76 4 CRIMPS	CD-920-400 BLUE P76 2 CRIMPS
LAB350-12-2	350 MCM	1/2	6.61	2.30	.72	1.11	1.50	.38	3.47	.63	1.75	1.19	2-5/16	CD-720-7 BROWN P87 4 CRIMPS	CD-920-500 BROWN P87 2 CRIMPS
LAB400-12-2	400 MCM	1/2	6.92	2.55	.76	1.19	1.66	.38	3.48	.63	1.75	1.20	2-9/16	—————	CD-920-600 GREEN P94 4 CRIMPS
LAB500-12-2	500 MCM	1/2	7.36	3.05	.84	1.32	1.72	.44	3.47	.63	1.75	1.19	3-1/16	—————	CD-920-500A PINK P99 4 CRIMPS
LAB600-12-2	600 MCM	1/2	7.55	3.05	.92	1.44	1.72	.50	3.53	.63	1.75	1.25	3-1/16	—————	CD-920-750 CD-940-750* BLACK P106 4 CRIMPS
LAB750-12-1	750 MCM	1/2	7.31	3.42	1.03	1.59	1.72	.56	3.53	.63	1.75	1.25	3-7/16	—————	CD-940-750A* RED P125 4 CRIMPS
LAB800-12-1	800 MCM	1/2	8.30	3.42	1.05	1.66	1.72	.59	3.53	.63	1.75	1.25	3-7/16	—————	CD-940-800A* GRAY P140 4 CRIMPS
LAB1000-12-1	1000 MCM	1/2	9.67	4.67	1.19	1.84	2.56	.63	3.53	.63	1.75	1.25	4-3/4	—————	CD-940-1000A* BROWN P161 4 CRIMPS



NOTES:

- FOR USE WITH STRANDED ALUMINUM COPPER WIRE ONLY.
- UL LISTED.
- CSA CERTIFIED.
- BARREL COLOR CODED WITH DIE SET INDEX NUMBER.
- TEMPERATURE RATING 90 DEGREES CELCIUS

* CD-940 DIES TO BE USED EXCLUSIVELY WITH CT-940CH TOOL

** CD-920 DIES CAN BE USED WITH CT-940CH AND CT-2940 TOOLS WITH CD-940-A DIE ADAPTER

CAD FILENAME/LAYERS C41152_03

PANDUIT CORP TINLEY PARK, ILLINOIS

LAB SERIES ALUMINUM LUGS
300 THRU 1000 MCM

UNLESS OTHERWISE SPECIFIED, DIMENSIONAL TOLERANCES ARE:
(.X) ± (.XXX) ±
(.XX) ± (ANGLES) ±

UNLESS OTHERWISE SPECIFIED, ALL DIMENSIONS ARE GIVEN IN INCHES, THIRD ANGLE PROJECTION

SCALE N/A

DRAWN BY MS DATE 4/95

MAT'L: SEE NOTES ABOVE

DWG NO. C41152

DWG SIZE B

REV	DATE	BY	CHK	DESCRIPTION	ECN	PM	CUST
03	11/08	JESH	JESH	OVERALL LENGTH "A" 7.31" WAS 8.30" ©		JAC	
02	4/01	BDK		ADDED TOOL CHART AND ASSOCIATED NOTATION, ADDED PACKAGING CODE TO ALL PARTS, ADDED WIRE STRIP LENGTH, ADDED CT-2940, CT-2920, CT-930CH & CT-920CH.			
01	8/88	TM	WB	ADDED NOTE 5	07054	RK	LA
00	4/95	MS	WB	RELEASED	03184	KS	LA
CHK'D						JSK	

